

PROJECT

QUANTITY

P5F Fresnel Light (Track)

175W LED/ 12°- 55°



ORDERING GUIDE

CXP5F - - - - **PSP** -

Mode

- CLR** All Modes
- EZ** All EZ Modes
- RGB** RGB Mode Only
- CCT** Tunable CCT Mode Only
- 3200** Fixed 3200K
- 5600** Fixed 5600K

Finish

- WH** White
- BK** Black

Mount

- TOX** w/ O-type DMX Track Adapter
- TEX** w/ E-type DMX Track Adapter (Legacy product)

Power Supply & Control

- PSP** Power Supply w/ Pass-Through DMX

Plug/Connection

- US** US 120V
- EU** EU 220V

SPECIFICATIONS

Beam Angle	12°- 55°
CRI / TLCI	95/90 typical (in CCT Mode of 2800K-6500K)
Dimming	100% - 0% flicker free
AC Power Draw	175W max
AC Input	100 - 240V AC, 50 - 60Hz
Remote Control	DMX 512
Cooling	Fan Cooled
Acoustic Noise	23 dBA (Auto Mode)
Operating Temp.	32 - 104°F (0 - 40°C)
Weight (Fixture + Power Supply)	8.9lb / 4.1kg

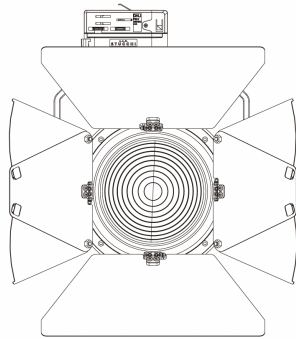
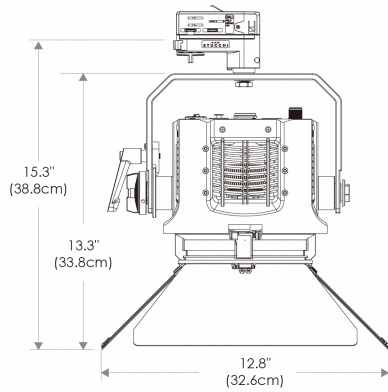
- Cine-Grade Light Quality
- Point-Source LED
- DMX Controllable
- 175W Power Draw
- Compact (< 12" of Vertical Space)

MECHANICAL FIGURES

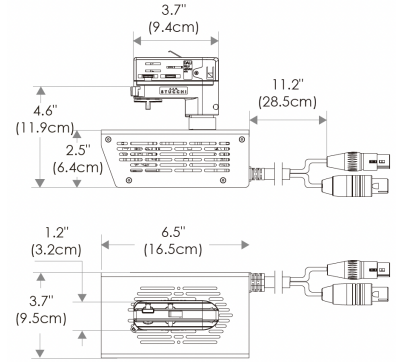
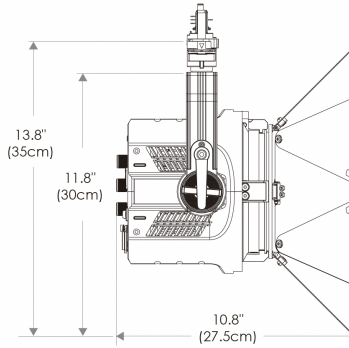
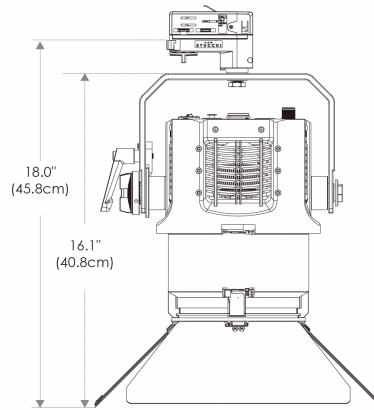
PSP

US

Flood



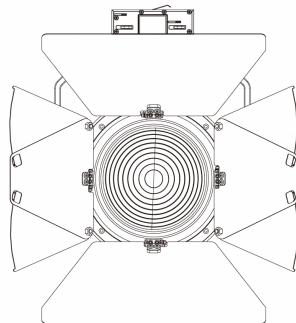
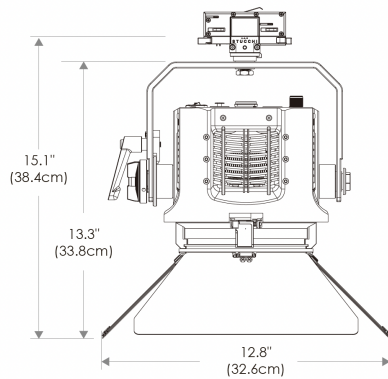
Focus



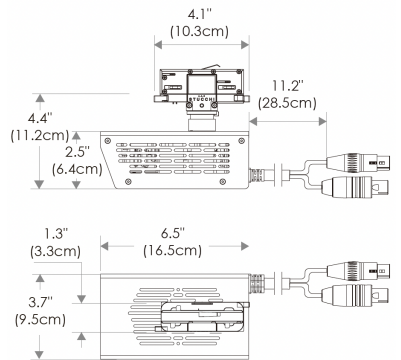
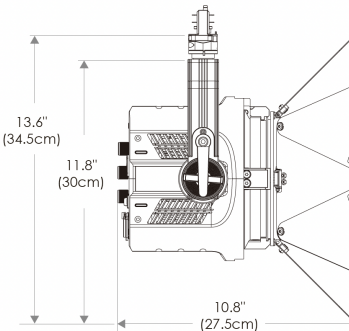
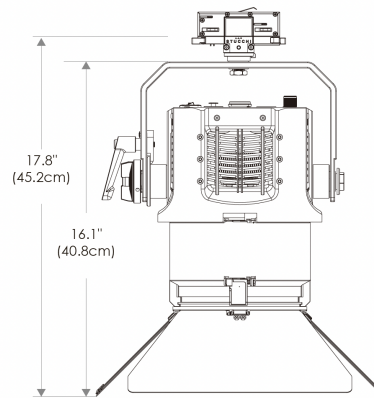
PSP

EU

Flood

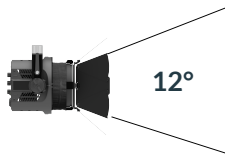


Focus

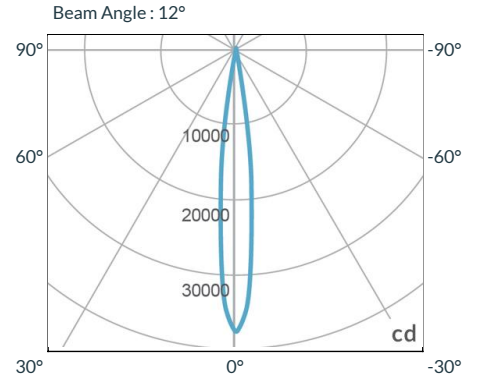


PHOTOMETRIC DATA

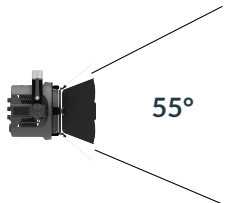
Focus



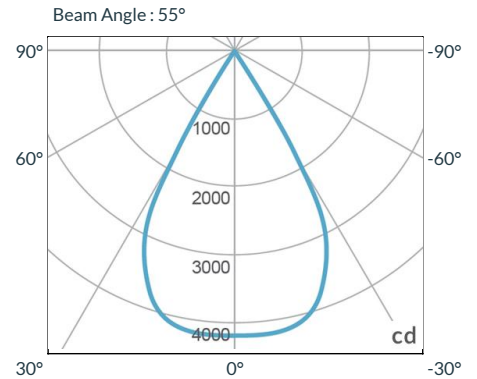
Distance		3' (~0.9 m)	10' (~3.0 m)	15' (~4.6 m)
@3200K	fc	3150	359	128
	lux	33907	3865	1378
@5600K	fc	3296	376	134
	lux	35478	4048	1443
Beam Diameter		Ø 0.7' (~0.2m)	Ø 2.1' (~0.6m)	Ø 3.5' (~1.1m)



Flood



Distance		3' (~0.9 m)	10' (~3.0 m)	15' (~4.6 m)
@3200K	fc	385	45	17
	lux	4145	485	183
@5600K	fc	406	47	18
	lux	4371	506	194
Beam Diameter		Ø 0.9' (~0.6m)	Ø 8.6' (~2.6m)	Ø 14.4' (~4.4m)



ACCESSORIES

(specify finish by adding -BK or -WH)



**DMX 6 Channel Controller
FLXCNTL-DMX6**